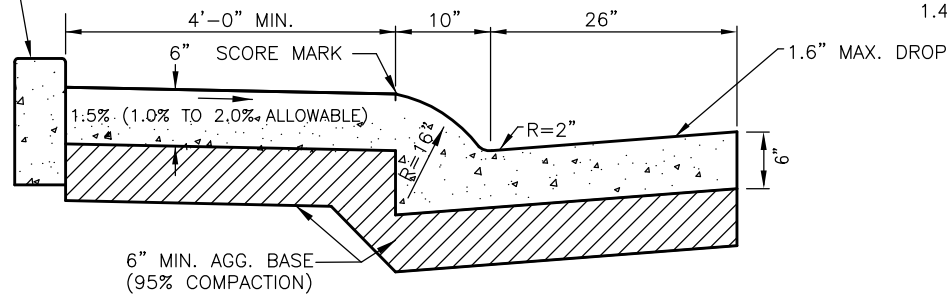
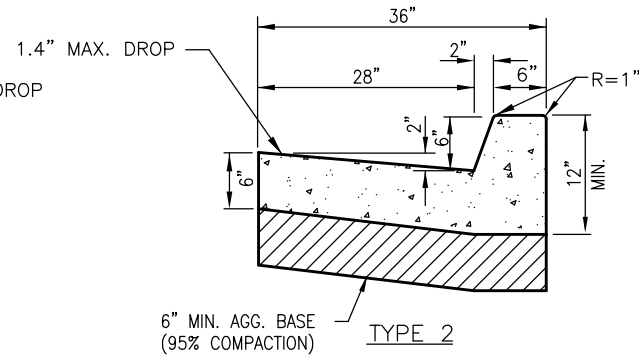


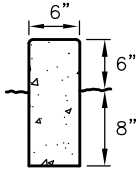
INSTALL TYPE 3 OR TYPE 4 CURB IF ABUTTING PARKING AREA OR LANDSCAPING (EXCEPT LAWN AREA).



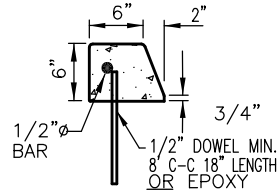
TYPE 1A & TYPICAL SIDEWALK



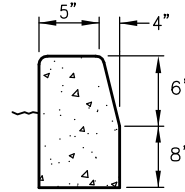
TYPE 2



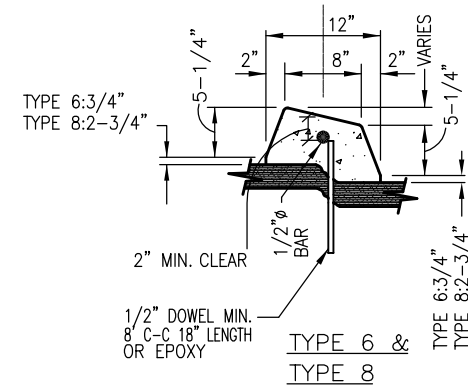
TYPE 3



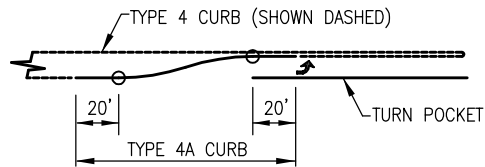
TYPE 4 & 4A
(4A REQUIRES BOTH DOWELS AND EPOXY)



TYPE 5



TYPE 6 & TYPE 8



PLAN FOR TYPICAL PLACEMENT OF TYPE 4A CURB

NOTES:

SEE SECTION 27-3.01 FOR REQUIREMENT FOR EXPANSION JOINTS, WEAKENED PLANE JOINTS AND SCORE MARKS.

1/2" RADIUS ON EXPOSED EDGES UNLESS NOTED OTHERWISE.

SEE ST-28 FOR BUS STOP DETAIL

A 1-INCH CONCRETE BATTER SHALL BE PLACED ON ALL CURB LIPS.

DATE: 02/12/2007		NOT TO SCALE	
REVISION	BY	APPROVED	DATE

CITY OF ELK GROVE - PUBLIC WORKS

APPROVED BY:

CITY ENGINEER

TYPICAL CURB & GUTTER SECTIONS



DRAWING NUMBER

ST - 31